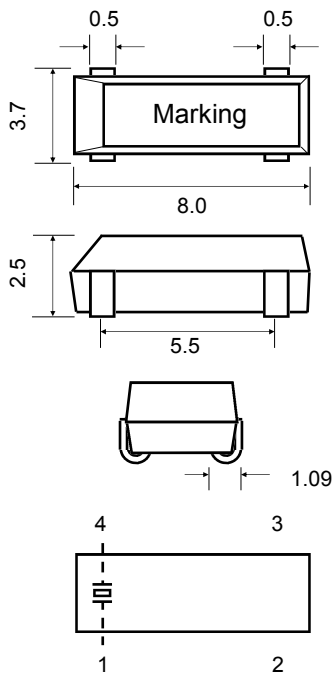
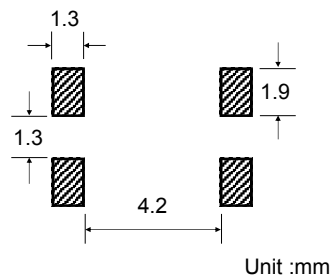
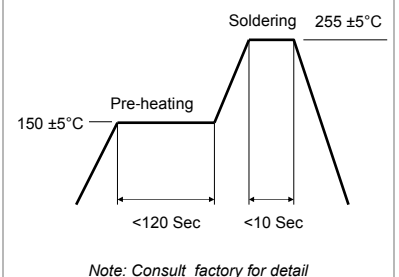


**PLASTIC MOLDED SMD TUNING FORK CRYSTAL (8.0 x 3.7 x 2.5mm)**
**FEATURES:**

- MINIATURE TUNING FORK CRYSTAL
- LOW PROFILE FOR HIGH DENSITY PCB DESIGN
- INDUSTRIAL OPERATING TEMPERATURE RANGE (-40°C ~ 85°C)


**■ SPECIFICATION**

FREQUENCY RANGE	32.768kHz
FREQUENCY TOLERANCE @ 25°C	STD: ±20ppm, Option: ±10ppm available (Consult factory)
TEMPERATURE COEFFICIENT	-0.034ppm ±0.006 ppm / °C <sup>2</sup>
OPERATING TEMPERATURE RANGE	-40°C ~ 85°C
STORAGE TEMPERATURE RANGE	-55°C ~ 125°C
TURN OVER TEMPERATURE	25°C ± 5°C
LOAD CAPACITANCE	STD: 12.5pF (See P/N guide for other options)
SHUNT CAPACITANCE	1.35pF typ.
MOTIONAL CAPACITANCE	0.0023pF typ.
EQUIVALENT SERIES RESISTANCE	50kΩ max.
INSULATION RESISTANCE	500MΩ min. @ 100V <sub>DC</sub> ± 15V <sub>DC</sub>
DRIVE LEVEL	0.1μW typ., 1.0μW max.
AGING @ 25°C ± 3°C	±5.0ppm/ 1 <sup>st</sup> year max.
SHOCK	±5.0ppm max.
VIBRATION	±5.0ppm max.

**■ PACKAGE DIMENSIONS**

**■ SOLDER PATTERN**

**■ REFLOW PROFILE**

**■ PART NUMBERING GUIDE**
